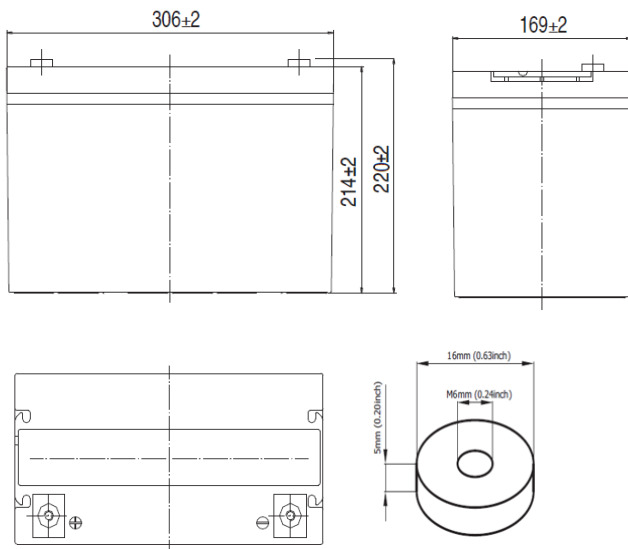


**APPLICATIONS**

- Solar & Wind power systems
- Power plants
- Uninterruptible Power Supply (UPS)
- Telecommunication Systems
- Electric wheelchairs
- Remote monitoring and controlling
- Solar street lighting
- Water pumping systems



**SPECIFICATIONS**

Nominal Voltage	12 V	
Number of cells	6	
Cycle Life	Approx. 1200 cycles at 50% DoD	
Design Floating Life (20°C)	12 years	
Dimensions	Length	306 mm
	Width	169 mm
	Height	214 mm
	Total Height	220 mm
Weight	27.8 kg	
Nominal Capacity (25°C)	120 hours rate (1.85)	108 Ah
	10 hours rate (1.80)	91.0 Ah
	5 hours rate (1.75)	76.5 Ah
	1 hours rate (1.60)	54.7 Ah
Internal Resistance (fully charged, 25°C)	6.5 mOhm	
Self Discharge	approx. 3% per month at 20°C	
Nominal Operating Temperature	25°C	
Operating Temperature range	Discharge	-15°C to 65°C
	Charge	-10°C to 60°C
	Storage	-20°C to 60°C
Float Charging Voltage	2.27 to 2.30 V/cell at 25°C	
Temperature compensation	-18mV/°C	
Cyclic Charging Voltage	2.40 to 2.47 V/cell at 25°C	
Temperature compensation	-30mV/°C	
Maximum charging current	22.5 A	
Maximum discharge current (25°C)	900 A (5 sec.)	
Short Circuit Current	1350 A	

**PERFORMANCE DATA**

**Discharge Constant Current at 25°C (Amperes)**

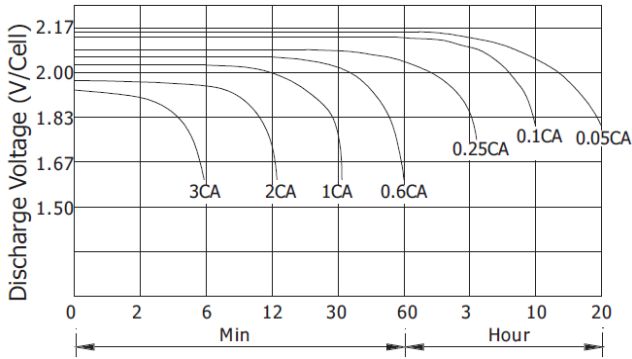
End Voltage (V/cell)	10min	15min	30min	45min	1h	2h	3h	4h	5h	8h	10h	20h	120h
1.60 V	155	138	87.4	69.6	54.7	33.1	22.7	17.7	15.9	11.3	9.54	4.91	----
1.65 V	147	135	85.7	68.4	53.9	32.9	22.6	17.7	15.7	11.2	9.40	4.86	----
1.70 V	141	130	82.8	66.3	52.5	32.8	22.6	17.6	15.5	11.0	9.33	4.83	----
1.75 V	133	125	80.8	65.2	51.8	32.4	22.4	17.5	15.3	10.8	9.17	4.78	----
1.80 V	126	119	77.9	63.6	51.1	31.7	22.0	17.3	15.0	10.5	9.10	4.70	0.91
1.85 V	124	117	76.7	62.6	50.4	31.2	21.7	17.0	14.8	10.4	8.96	4.63	0.90

**Discharge Constant Power at 25°C (Watts/Cell)**

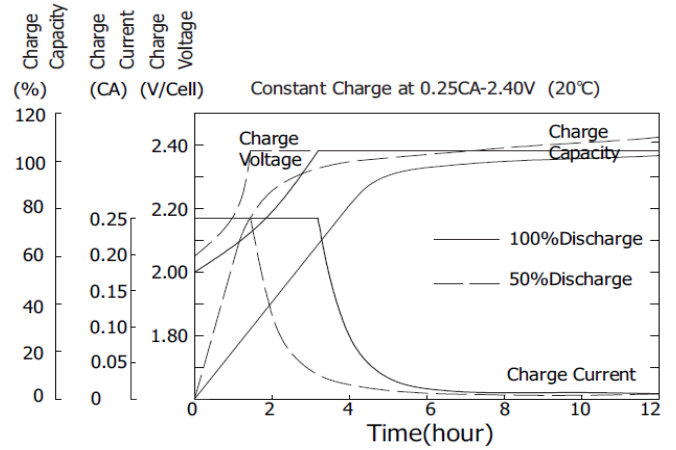
End Voltage (V/cell)	10min	15min	30min	45min	1h	2h	3h	4h	5h	8h	10h	20h	120h
1.60 V	274	256	166	135	105	64.4	44.5	34.4	30.6	21.9	18.6	9.55	----
1.65 V	266	250	162	133	103	63.6	43.9	34.4	30.3	21.8	18.4	9.53	----
1.70 V	255	241	157	130	101	63.0	43.5	34.2	29.9	21.6	18.4	9.50	----
1.75 V	243	233	153	127	98.8	62.0	43.2	33.8	29.8	21.4	18.2	9.45	----
1.80 V	230	220	148	122	95.9	60.5	41.7	32.8	29.3	20.7	18.0	9.38	1.80
1.85 V	227	217	145	120	94.4	59.5	41.1	32.3	28.8	20.4	17.7	9.24	1.77

Note: The above characteristics data can be obtained within three charge/discharge cycles.

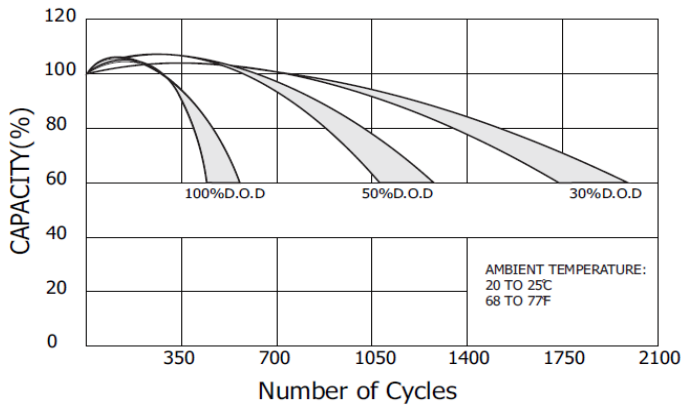
**Discharge Characteristics (20°C)**



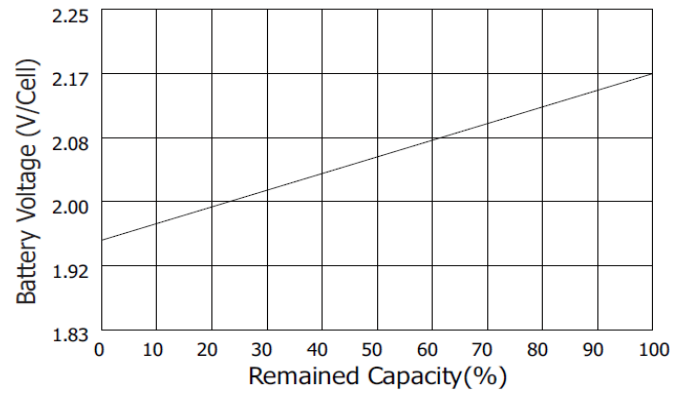
**Charging Characteristics (20°C)**



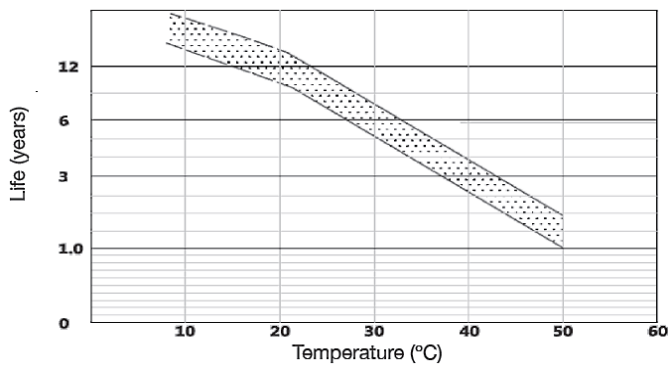
**Cycle Service Life in Relation to Depth of Discharge**



**Relationship Between OCV and Residual Capacity (20°C)**



**Temperature Effects on Float Life**



**Self Discharge Characteristics**

